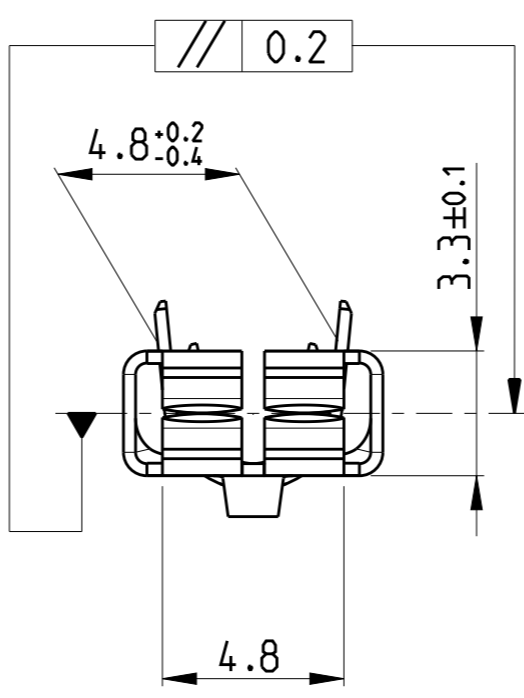
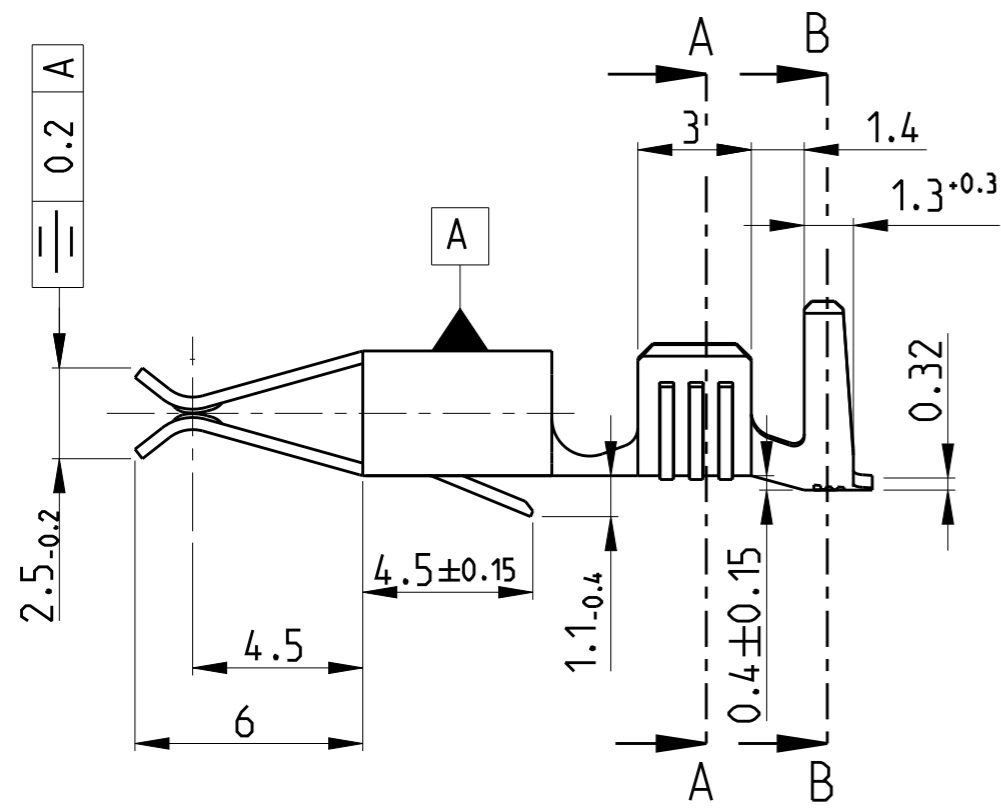


THIS DRAWING IS UNPUBLISHED. RELEASED FOR PUBLICATION 20
 © COPYRIGHT 20 BY - ALL RIGHTS RESERVED.

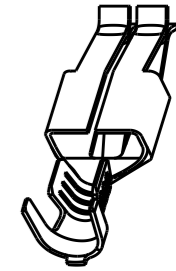
REVISIONS

P	LTR	DESCRIPTION	DATE	DWN	APVD
W 1		ECR-14-007191	25JUN2014	SK	RS
W 2		ECR-15-012070	13AUG2015	JB JH	BK

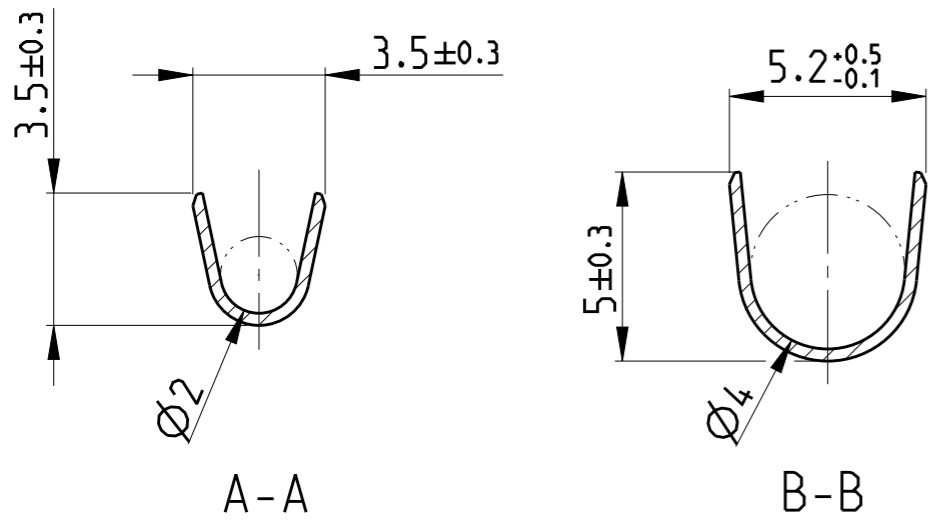
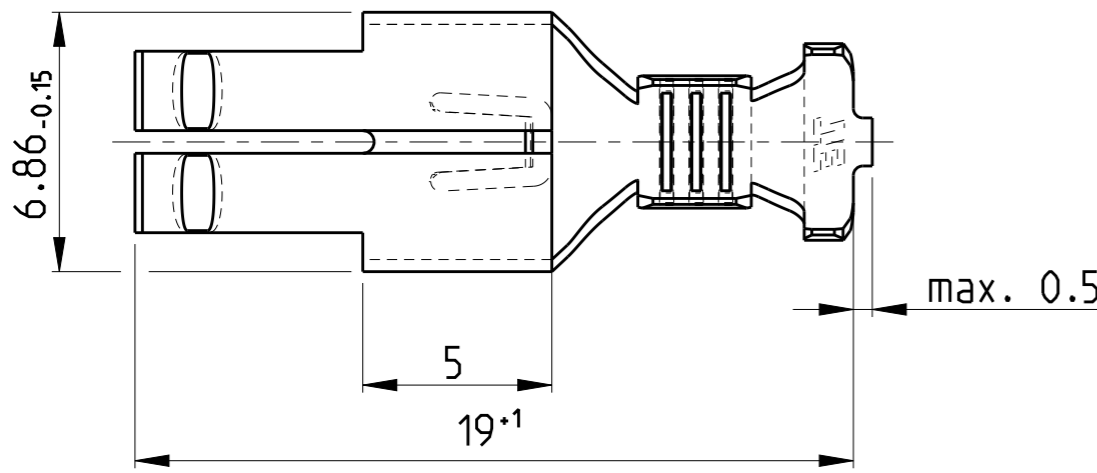


Leitungsquerschnitt in mm²
 Cross-section in mm²

Single connection	Einzelanschl.	0.5	0.75	1.0	1.5	2.0	2.5	3.0	4.0	6.0
0.5	-	X	X	X	-	-	-	-	-	-
0.75	-	X	X	-	-	-	-	-	-	-
1.0	X	X	-	-	-	-	-	-	-	-
1.5	X	-	-	-	-	-	-	-	-	-
2	-	-	-	-	-	-	-	-	-	-
2.5	X	-	-	-	-	-	-	-	-	-
3.0	-	-	-	-	-	-	-	-	-	-
4.0	-	-	-	-	-	-	-	-	-	-
6.0	-	-	-	-	-	-	-	-	-	-



2:1



OBSOLETE	TiN vorverzinnt	CuFe	925612-5	W
OBSOLETE	TiN vorverzinnt	CuZn30	925612-4	W
OBSOLETE	TiN vorverzinnt	CuFe2	925612-3	W
	TiN vorverzinnt	CuSn4	925612-2	Y
	TiN vorverzinnt	CuZn30	925612-1	Y
	FINISH	MATERIAL	PART NO.	REV.

THIS DRAWING IS A CONTROLLED DOCUMENT.

DWN J.SALO 13-Aug-15	TE Connectivity NAME STANDARD TIMER CONTACT - -			
CHK X.PARERAS 13-Aug-15				
APVD R.SOLE 13-Aug-15				
PRODUCT SPEC 114-18080				
APPLICATION SPEC 108-18054	SIZE A3	CAGE CODE 00779	DRAWING NO. C-925612	RESTRICTED TO -
MATERIAL -	WEIGHT -	Customer Drawing		SCALE 5:1
DIMENSIONS: mm	TOLERANCES UNLESS OTHERWISE SPECIFIED:	SHEET 1 OF 1		
Ø symbol	0 PLC ±0.2	REV W 2		
□ symbol	1 PLC ±0.2			
□ symbol	2 PLC ±0.2			
□ symbol	3 PLC ±0.2			
□ symbol	4 PLC ±2°			
□ symbol	ANGLES ±2°			